

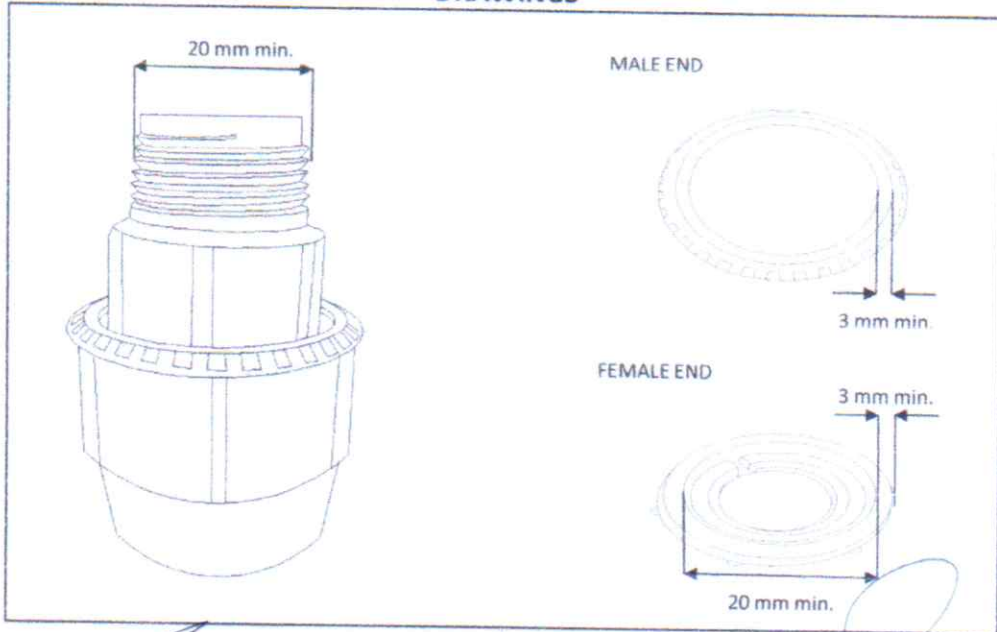
CAGAYAN DE ORO CITY WATER DISTRICT
 QUALITY CONTROL COMMITTEE for PIPES AND SERVICE CONNECTION MATERIALS
 cowl_qcc@yahoo.com

**1/2" Ø
 REPLACEMENT PIECE**

MATERIAL SPECIFICATIONS

Description	: ISO Product Compliance	
Type	: Non Loose Component, Compression	
Make	: Polypropylene	
Color	: Black	
Gross Weight	: 65 grams (minimum)	
Connection Ends	<u>Male End</u>	<u>Female End</u>
Outside Diameter	: 20 mm (minimum)	-
Inside Diameter	: -	: 20 mm (minimum)
Wall Thickness	: 3 mm (minimum)	: 3 mm (minimum)
Working Pressure	: 150 psi	
Other Requirements	: Original Manufacturer's Product Brochures / Manual / Literatures	
	: Specify Delivery Packaging	

DRAWINGS



[Signature]
RUF0 B. BAGAY
 Member

[Signature]
LARRY R. DACER
 Member

[Signature]
ALLAN D. CHIONG
 Member

[Signature]
VIRGNIA J. DIAZ
 Member / Secretary

[Signature]
MOSES M. ECHANO
 Chairman

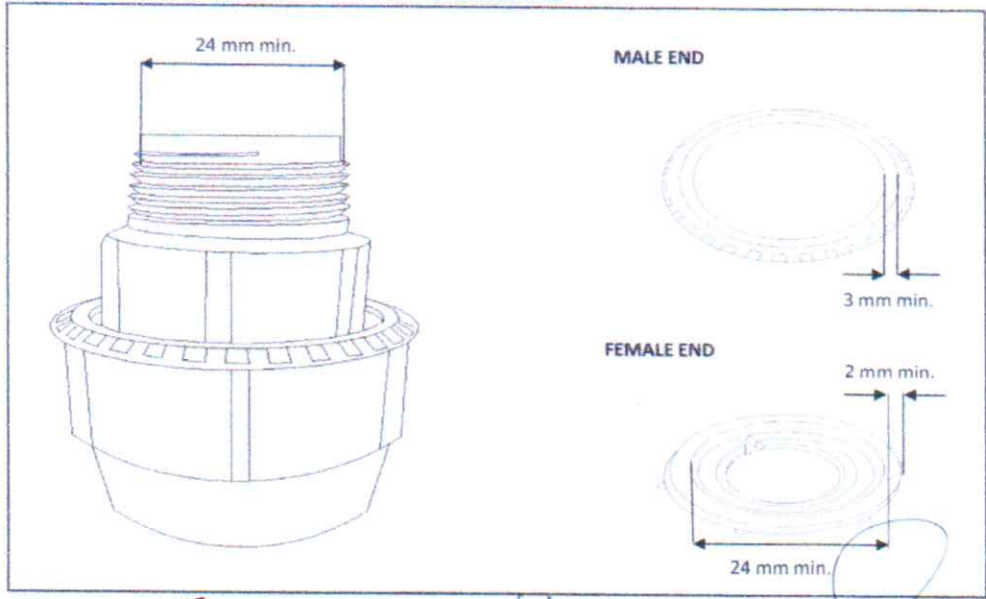
CAGAYAN DE ORO CITY WATER DISTRICT
 QUALITY CONTROL COMMITTEE for PIPES AND SERVICE CONNECTION MATERIALS
 cowl_qcc@yahoo.com

**3/4" Ø
 REPLACEMENT PIECE**

MATERIAL SPECIFICATIONS

Description	: CTS	
Type	: Non Loose Component, Compression	
Make	: Polypropylene	
Color	: Black	
Gross Weight	: 70 grams (minimum)	
Connection Ends	: Male End	: Female End
Outside Diameter	: 24 mm (minimum)	-
Inside Diameter	: -	24 mm (minimum)
Wall Thickness	: 3 mm (minimum)	2 mm (minimum)
Working Pressure	: 150 psi	
Other Requirements	: Original Manufacturer's Product Brochures / Manual / Literatures	
	: Specify Delivery Packaging	

DRAWINGS



[Signature]
RUFO B. BAGAY
 Member

[Signature]
LARRY R. DACER
 Member

[Signature]
ALLAN D. CHIONG
 Member

[Signature]
VIRGINIA J. DIAZ
 Member / Secretary

[Signature]
MOSES M. ECHANO
 Chairman